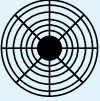




Ar Ruthiane

 Safety cages available for low ceilings.

 Suitable for Damp Location

 Suitable for Damp Location

(A) Shown in Polished Chrome with metal blades and decorative cage.

(B) Shown in Polished Copper with mahogany blades.



The Ar Ruthiane's unique hourglass support arms grasp bullet shaped motor housings, which rotate about its teardrop center. The motor heads can be infinitely positioned in 180-degree arcs for optimum air movement; the greater the angles of the motors to the horizontal support rods (up or down), the faster the axial rotation. A slow, controlled axial rotation is achieved by both motor head position and fan blade speed. The Ar Ruthiane is available in these standard finishes: polished chrome, brushed nickel, polished copper, bronze and black. Other finishes are available as special orders.

- Matthews rotational fans circulate heat and air conditioning more efficiently than traditional paddle fans.
- Constructed of cast aluminum, heavy spun and stamped steel, the Ar Ruthiane carries a limited lifetime warranty.
- Each unique motor mount and fan head knob is made of genuine marbled Bakelite.
- The Ar Ruthiane is available with the following blade options:
 - metal blades with decorative metal blade guards
 - solid, ecologically harvested mahogany blades without blade guards
 - metal blades with metal safety cages for use in low ceiling applications (7 ft in US / 8.2 ft in Canada).

Standard Finishes

bronze	brushed nickel	black
polished chrome	polished copper	

Special Order Finishes

polished brass	black nickel	brushed brass
brushed copper	white	bronzette

MATTHEWS

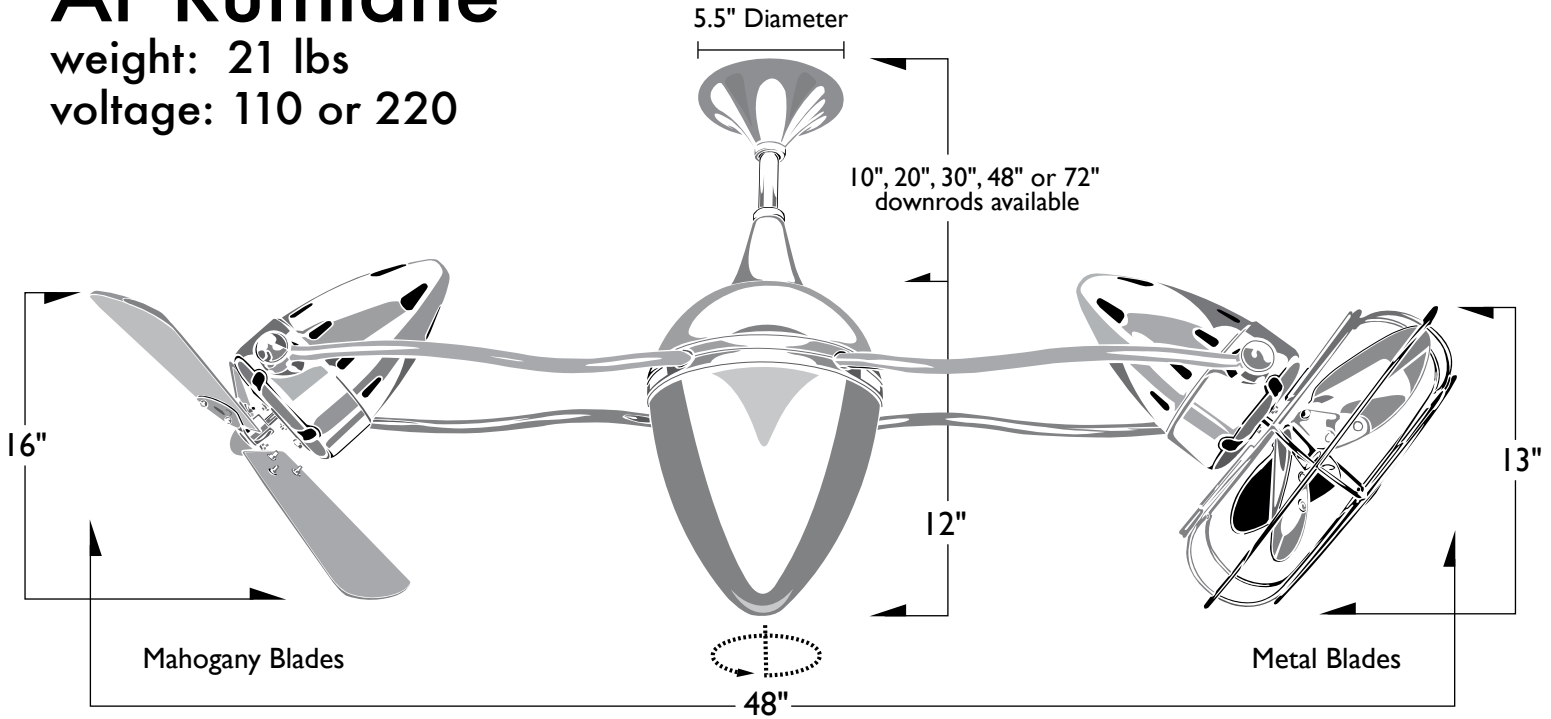
FAN COMPANY

www.matthewsfanco.com

Ar Ruthiane

weight: 21 lbs

voltage: 110 or 220



Increasing Angles of Fan Heads to Support Poles Increases Speed of Axial Rotation
Optimum Fan Head Position is 60°

The Ar Ruthiane can be mounted with any one of the following down rod lengths: 10, 20, 30, 48 or 72".

- The down rods can be easily field cut; they are not threaded.

The Ar Ruthiane is compatible with flat or vaulted ceiling canopies.

All fans best regulated by variable speed wall controls.

Metal bladed fans with protective powder or clear coatings are suitable for Damp Location.

Safety cages available for low ceiling applications.



Damp Location